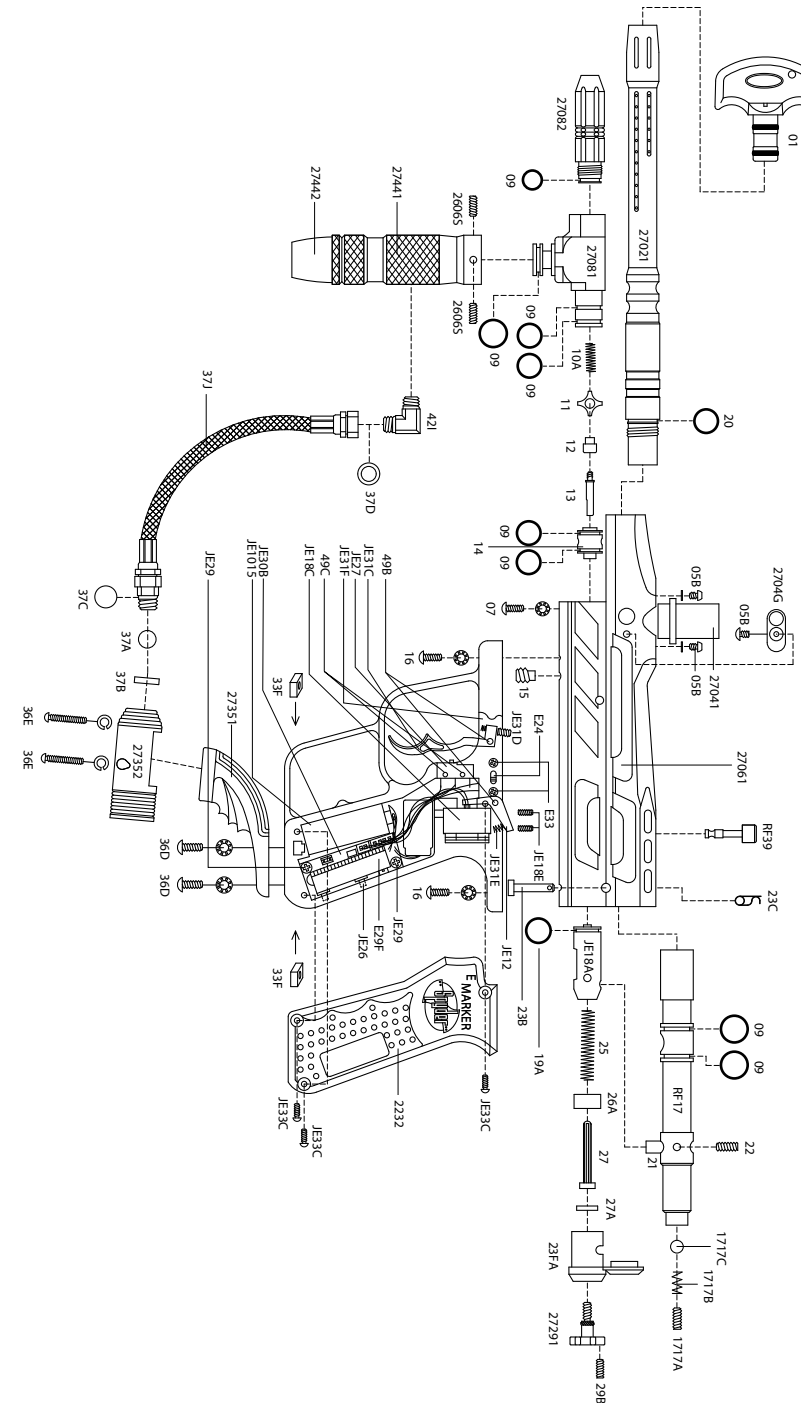


Spyder Pilot

ITEM #	NAME OF PARTS
01	Spyder Barrel Plug
27021	12" Barrel (Silver)
2704G	Ball Stopper w/ Detent Cover (Silver)
05B	M4 x 6 Screw (Silver)
27041	Direct Feed (Silver)
27061	Receiver (Sky Blue)
07	M5 x 14 Screw w/ Washer
27081	Vertical Adapter (Sky Blue)
27082	Low Pressure Chamber (Sky Blue)
09	O-Ring #015 80D
10A	Valve Spring
11	Cup Seal Guide
12	Cup Seal
13	Valve Pin
14	Valve Body
15	Valve Body Screw
16	Frame Screw M5 x 12 Screw
RF17	Venturi Cocking Bolt
1717A	Retaining Screw
1717B	Retaining Spring
1717C	Retaining Bearing
19A	Striker O-Ring
20	Barrel O-Ring
21	Bolt Pin
22	Bolt Screw
23B	Quick Disconnect Pin
23C	Disconnect Pin Lock
23FA	Striker Bolt Plug (Silver)
25	Striker Spring
26A	Striker Buffer
27	Striker Spring Guide
27A	Flat Disc
27291	Thumb Adjuster w/ screw (Sky Blue)
29B	Lock Screw
2232	Rubber Grip Panel (Black)
33F	Nut Screw

ITEM #	NAME OF PARTS
27352	C/A Adapter (Sky Blue)
2606S	Expansion Chamber Lock Screw
2235L	Deluxe Drop Forward (Silver)
36D	5/32" x 5/8" Screw
36E	5/32" x 7/8" Screw (Black)
37A	Filter O-Ring
37B	Air Filter
37C	Disconnect O-Ring #011
37D	Plastic Washer
37J	Disconnect Hose
2741	Spare Parts Kit
42I	90 Male to Male Adapter
27441	Expansion Chamber (Sky Blue)
27442	Mini Fore Grip (Sky Blue)
49B	Trigger Roll Pin
49C	Touch Switch Roll Pin
E24	On/Off Switch with wiring harnesses
E24A	Battery harness
E29F	C.A.M.D Circuit Board
E33	On/Off Screw (M2 x 6 Screw)
JE1015	Java 9.6v Rechargeable Battery
JE12	Trigger Sear
JE18A	Striker Bolt
JE18C	Coil Set
JE18E	Coil Set Screw
JE26	Charge Pin
JE27	Touch Switch
JE28D	IPI-Tack Switch
JE29	Circuit Board Screw
JE30B	Tournament Lock Switch
JE31C	Trigger
JE31D	Trigger Adjust Screw
JE31E	Sear Spring
JE31F	Trigger Spring
JE33C	Grip Cover Screws (M3 x 10)



SPYDER Pilot Parts List